



LASERMACH

Diode Laser for Permanent Hair Reduction

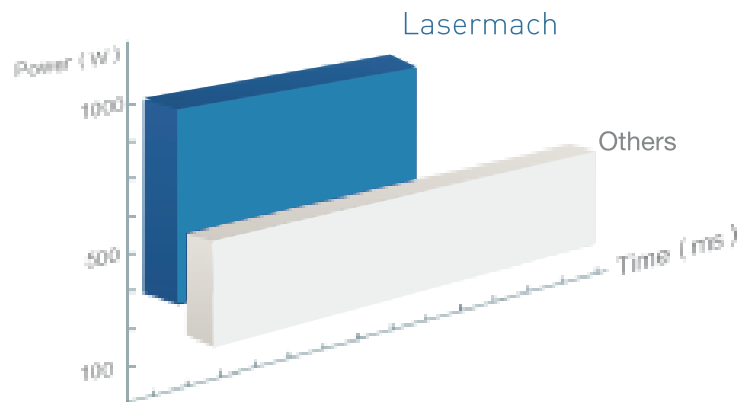
LASERMACH

High Speed Permanent Hair Reduction

Painless, Comfortable

Higher Peak Power Up to 1000W

High peak power and short pulse can reduce lateral heating which makes your customer feels more comfortable, and high power could increase hair removal efficacy, which enables your staff to complete treatment regimens quickly and efficiently.



Compressor Refrigeration



Continuous Working

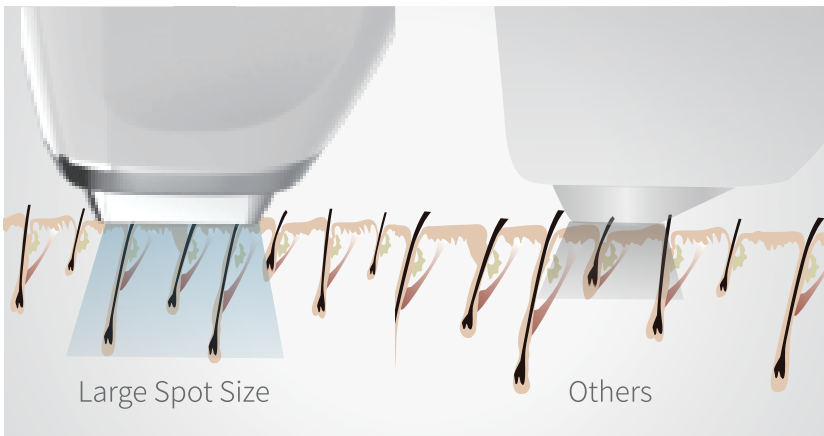
Versatility

808nm/755nm/1064nm Suitable for all skin tones

808nm



The 808nm Wavelength is most widely use one, which suitable for most body parts hair removal, which is "Gold Standard" for the hair removal and offering your patients a safe and highly effective hair removal solution.



Efficiency

Large Spot Size 12x20mm²

The large spot size increases the depth of heat penetration and allows the hair follicle to absorb more energy, improving treatment effectiveness.



Sapphire Crystal 4°C
Constant Temperature



Aesthetic and Professional
Operation Systems



Suitable for all
Skin Tones

Triple Applicator

Lasermach Pro(WLA-01) Combines the most effective laser wavelengths 755nm, 808nm and 1064nm into a single applicator, simultaneously heating different tissue depths and anatomical structure within the hair follicle, maximum increasing the efficiency and comfort of laser hair removal.



※808nm is CE approved, 808nm is FDA cleared.

Technical Specifications

Applicator	Triple	L808
Wavelength	755nm+808nm+1064nm	808nm
Pulse Duration		5ms-400ms
Repetition Rate		1Hz-10Hz
Spot Size		12mm x 20mm
Fluence		Up to 120J/cm ²
Laser Power		Up to 1000W
Weight		55Kg
Dimensions		62cm x 65cm x 130cm
Cooling System		Compressor+Air+Water+TEC
Electrical		100-120VAC,50/60Hz 200-240VAC,50/60Hz

About Wingderm

Wingderm is committed to R&D, manufacture and globally promote the next generation intelligent optoelectronic medical aesthetic equipment. We insist the mission "Aesthetics & Technology, Easy to Achieve", make customers enjoy the beauty from technology easily. We are always committed to provide leading, reliable products and service to each customer.

Wingderm Electro-Optics Ltd.

Address: Room 312, Building D-3, Dongsheng Science Park, No.66 Xixiaokou Road, Haidian District, 100192 Beijing, China

☎ (86 10) 62910812

🌐 www.wingderm.com

✉ info@wingderm.com

Lasermach Pro Diode Laser Therapy Systems meets the latest European and American standards for medical devices. After many rigorous tests, it has obtained the European Medical CE certificate issued by TUV SUD and passed the FDA certification.



#gonorthmedical_derma



www.derma.gonorthmedical.com

info@gonorthmedical.com

SWEDEN - NORWAY - DENMARK - ISLAND